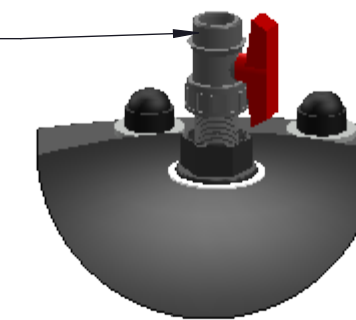


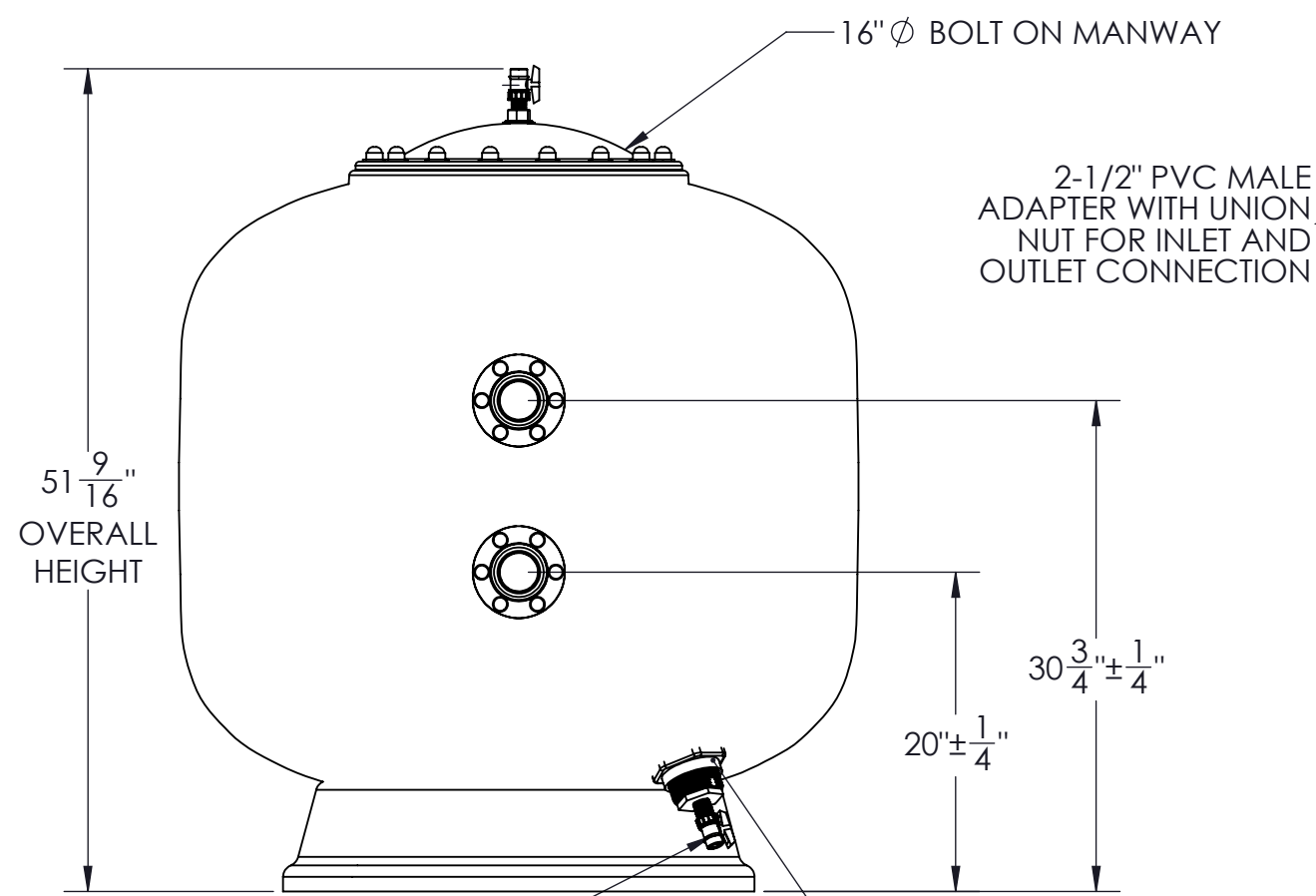
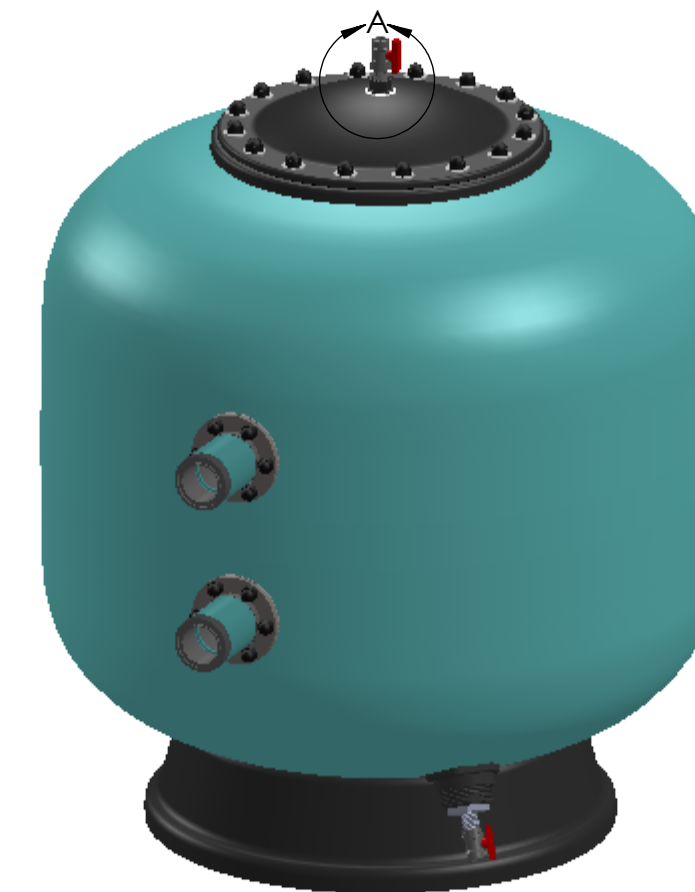
PLAN ELEVATION

Filter Data Table	
Total Surface Area:	9.26 FT ²
Max Working Pressure:	50 PSI.
Max. Flow Rate:	243 GPM

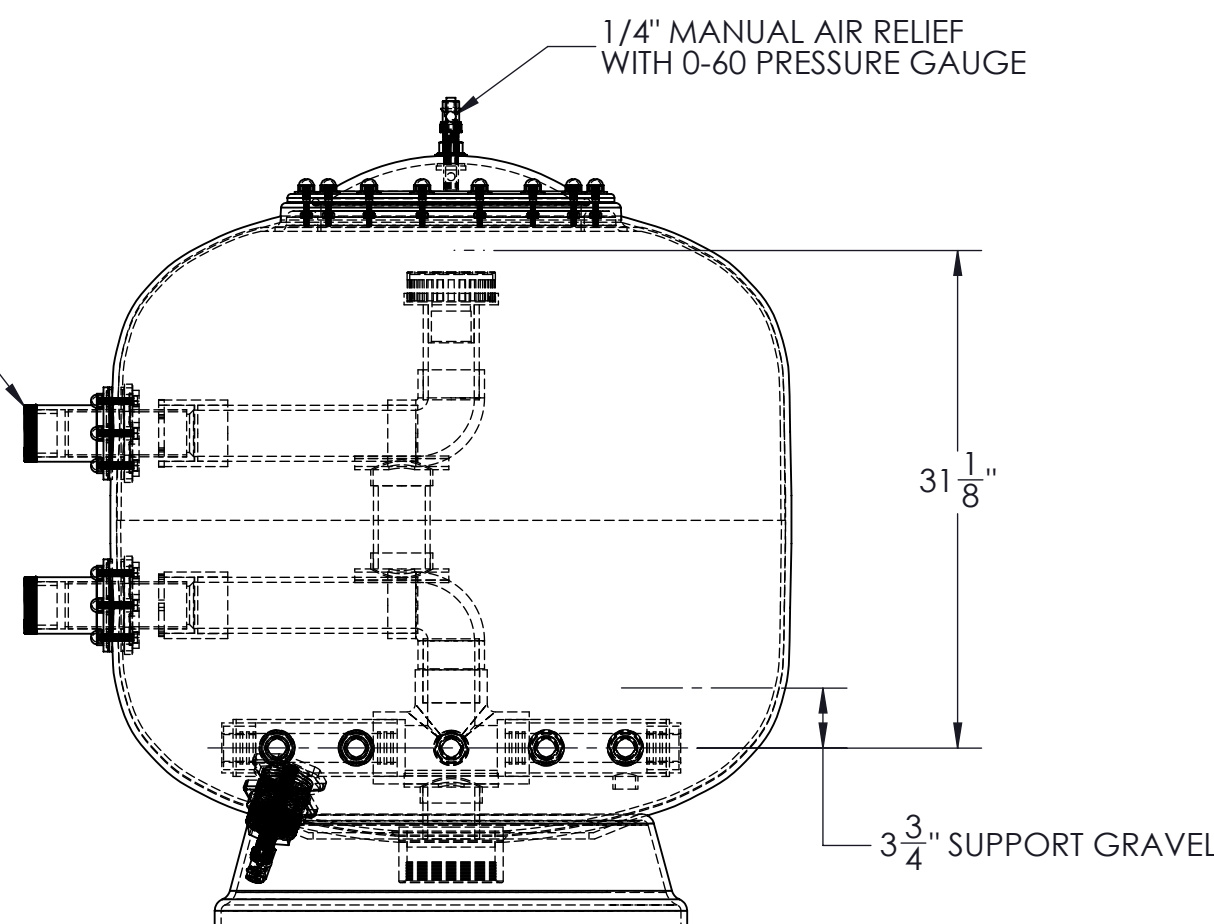
1/4" MANUAL AIR RELIEF WITH 0-60 PRESSURE GAUGE



DETAIL A
SCALE 1 : 4



FRONT ELEVATION



SIDE ELEVATION

APPROVAL REQUIRED

Approved as Drawn

Approved as Noted

Not Approved

Approved By: _____

Date Approved: _____

By signing this drawing the signee acknowledges that current order or any future orders placed using this specific part number will reflect only that defined in signed drawing.

GENERAL NOTES:

1. VESSEL DESIGNED TO MEET OR EXCEED NSF/ANSI STANDARD 50
2. FILTER MADE FROM HIGH STRENGTH FIBERGLASS AND RESINS
3. ALL INTERNAL COMPONENTS ARE CONSTRUCTED OF SCHEDULE 80 PVC.
4. EXTERNAL HARDWARE TO BE ZINC AS STANDARD, UPGRADES ARE AVAILABLE UPON REQUEST.
5. GASKETS SUPPLIED AS STANDARD ARE RED RUBBER, UPGRADES ARE AVAILABLE UPON REQUEST..
6. HYDROSTATIC TESTING TO 1.5 x VESSEL DESIGN PRESSURE.
7. MEDIA NOT INCLUDED WITH FILTER, MUST BE ORDERED SEPARATELY.
8. CONCRETE SLAB TO BE DESIGNED BY OTHERS.
9. SOME DETAILS SHOWN IN DRAWING ARE FOR REFERENCE ONLY. ONLY DIMENSIONED DETAILS ARE IN ACTUAL LOCATIONS
10. DESIGN AND/OR SPECIFICATIONS ARE SUBJECT TO CHANGE WITHOUT NOTICE. IF QUESTIONS ARISE, CONTACT YOUR SALES REPRESENTATIVE OR FLUIDRA USA FOR CLARIFICATION.



REV	DATE	DESCRIPTION	BY:
01	03/01/2015	REVISED TO NEW DRAWING FORMAT	HW

42" VERTICAL "SHORT" SAND FILTER 50 PSI
9.26 SQF WITH 2 1/2" CONNECTIONS

DWG. NO. 06804	REV 01	SHEET 1 OF 3
DRAWN BY: HW	DATE: 07/10/2014	SCALE: SCALE: 1:12
SIZE C	CHECKED	

UNLESS OTHERWISE SPECIFIED:
DIMENSIONS ARE IN INCHES
TOLERANCES:
FRACTIONAL: ±
ANGULAR: MACH ± BEND ±
TWO PLACE DECIMAL ±
THREE PLACE DECIMAL ±



www.fluidra.us
8525 MALLORY ROAD JACKSONVILLE, FL. 32220 (904) 378-0999

