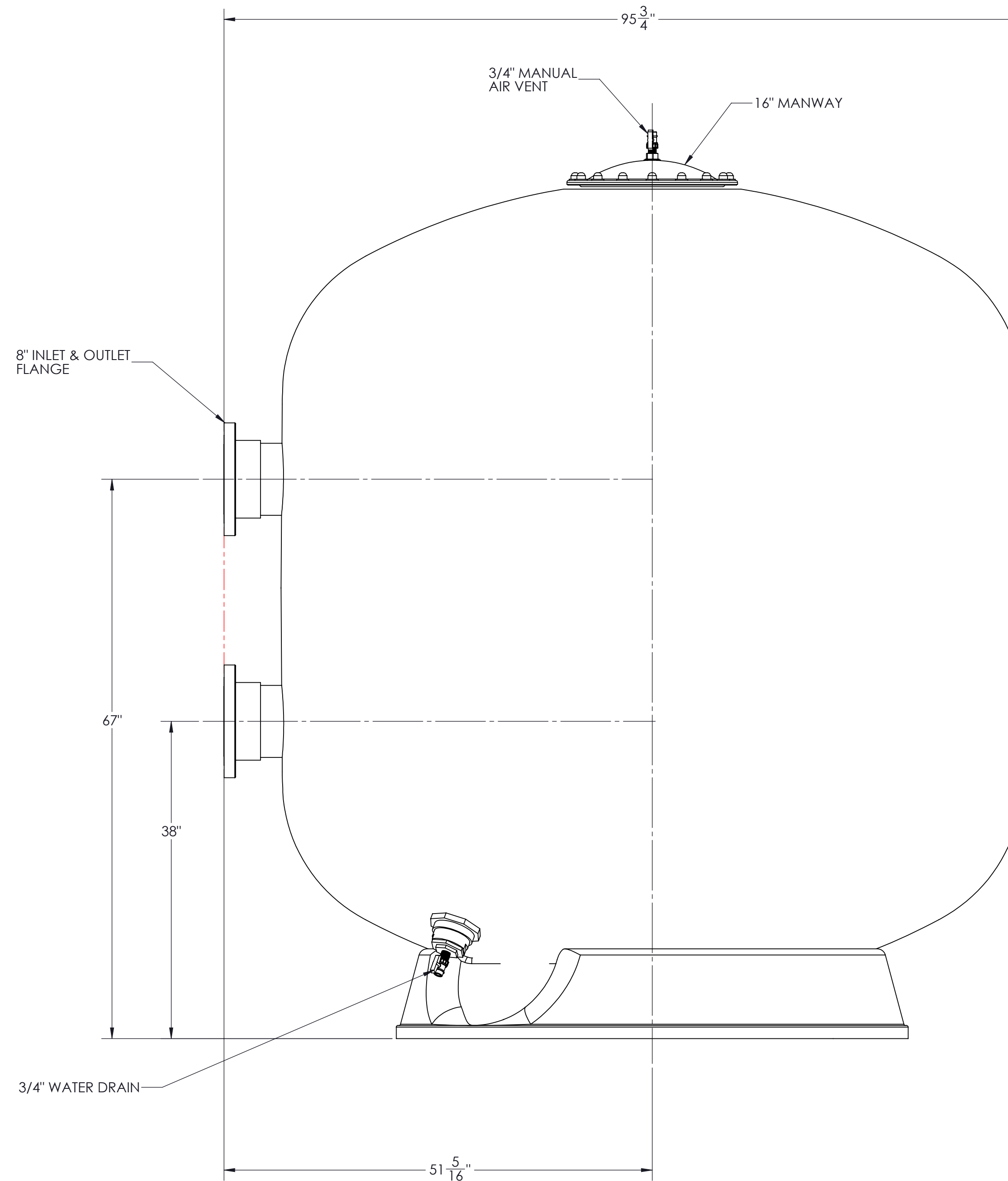


**VERTICAL SAND FILTER  
WITH 8" CONNECTION**

**ORDER PART NO. 06687**



**APPROVAL REQUIRED**

Approved as Drawn

Approved as Noted

Manway Orientation\*

Left

Right

No Preference

Not Approved

Approved By: \_\_\_\_\_

Date Approved: \_\_\_\_\_

\*If Manway orientation is not selected then signee agrees to allow Fluidra, USA to select one at their discretion.

By signing this drawing the signee acknowledges that current order or any future orders placed using this specific part number will reflect only that defined in signed drawing.

- GENERAL NOTES:**
- VESSEL DESIGNED TO MEET OR EXCEED NSF/ANSI STANDARD 50
  - FILTER MADE FROM HIGH STRENGTH FIBERGLASS AND RESINS
  - ALL INTERNAL COMPONENTS ARE CONSTRUCTED OF SCHEDULE 80 PVC.
  - MANHOLE CAN BE LOCATED ON EITHER SIDE OF FILTER. PLEASE SPECIFY AT TIME OF ORDER.
  - SAND DRAIN AND WATER DRAIN ARE PLACED ON THE SAME SIDE AS THE MANHOLE.
  - EXTERNAL HARDWARE TO BE ZINC AS STANDARD, UPGRADES ARE AVAILABLE UPON REQUEST.
  - INTERNAL HARDWARE TO BE 304 STAINLESS STEEL.
  - GASKETS SUPPLIED AS STANDARD ARE RED RUBBER AND EPDM.
  - HYDROSTATIC TESTING TO 1.5 x VESSEL DESIGN PRESSURE.
  - MEDIA NOT INCLUDED WITH FILTER. MUST BE ORDERED SEPARATELY.
  - CONCRETE SLAB TO BE DESIGNED BY OTHERS.
  - SOME DETAILS SHOWN IN DRAWING ARE FOR REFERENCE ONLY. ONLY DIMENSIONED DETAILS ARE IN ACTUAL LOCATIONS
  - DESIGN AND/OR SPECIFICATIONS ARE SUBJECT TO CHANGE WITHOUT NOTICE. IF QUESTIONS ARISE, CONTACT YOUR SALES REPRESENTATIVE OR FLUIDRA USA FOR CLARIFICATION.

Filter Data Table	
Total Surface Area:	40.3 SQ. FT.
Max. Working Pressure:	50 PSI.
Max. Flow Rate:	806 GPM
Media Require	
Sand:	13,750 LBS
Gravel:	2,300 LBS
Weights	
Filter Shipping Weight:	1,440 LBS
Filter Operating Weight:	26,510 LBS

**86" VERTICAL COMMERCIAL SAND  
FILTER WITH 8" CONNECTIONS  
50 PSI 40.3 SQF**

DWG. NO.	06687		REV	02	SHEET 1 OF 1
DRAWN BY:	DATE:	SCALE:	SIZE	CHECKED	
L.GUTIERREZ	12/14/2015	SCALE: 1:10	D		

UNLESS OTHERWISE SPECIFIED:  
DIMENSIONS ARE IN INCHES  
TOLERANCES:  
FRACTIONAL: ± 1/32 [19]  
xxx: ± .010 [25]  
xxxx: ± .005 [127]  
ANGULAR: ± 1°

**PROPRIETARY AND CONFIDENTIAL**

This drawing is the property of Fluidra U.S.A., and contains confidential information belonging to the same. This drawing is made available on the specific condition that neither it nor the information contained on it will be disclosed or made available without written consent of Fluidra U.S.A.

**FLUIDRA**

www.fluidra.us  
8525 MALLORY ROAD JACKSONVILLE, FL 32220 (904) 378-0999

**ASTRALPOOL**